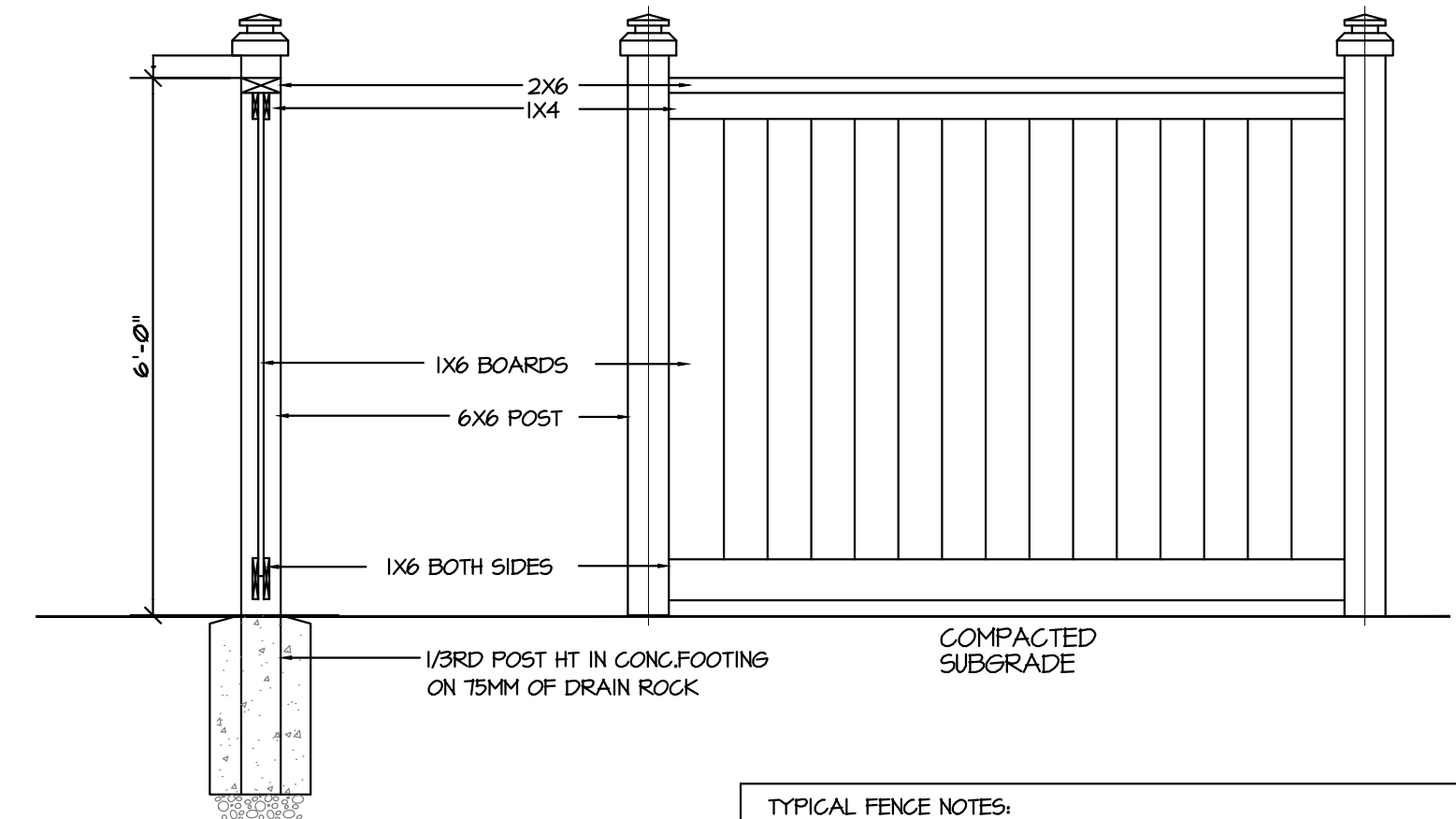
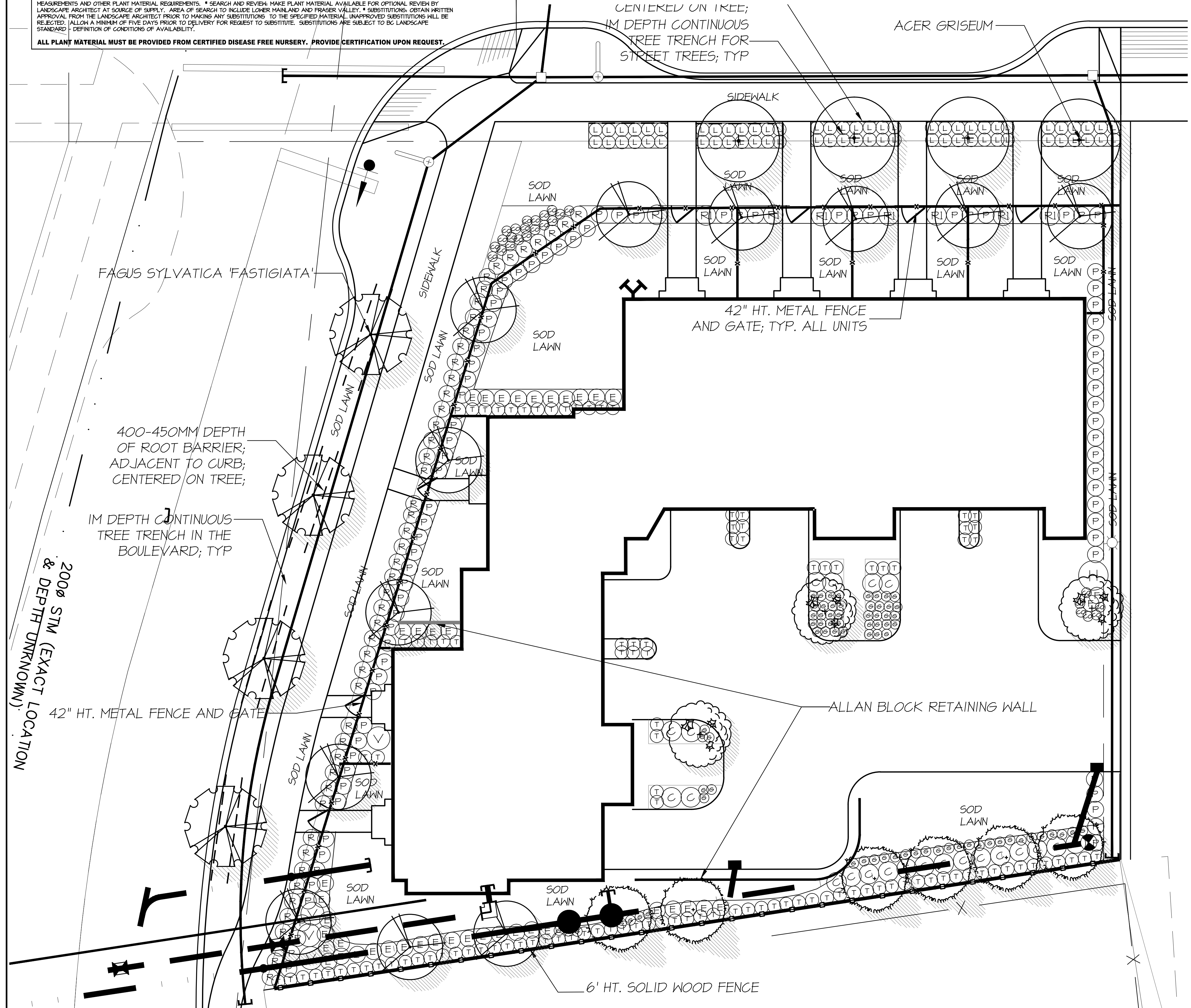


PLANT SCHEDULE M2 JOB NUMBER: 13-062

KEY	QTY	BOTANICAL NAME	COMMON NAME	PLANTED SIZE / REMARKS
TREE				
4	4	ACER GRISEUM	PAPERBARK MAPLE	60M GAL, 1.8M STD, B4B
3	3	ACER PALMATUM 'BLOODGOOD'	JAPANESE MAPLE	2.5M HT, B4B, UPRIGHT FORM
4	4	ACER RUBRUM 'BOHALL'	COLUMNAR BOHALL MAPLE	62M GAL, 2M STD, B4B
12	12	CORNUS NITTALII	PACIFIC DOGWOOD	2M HT, B4B
6	6	FINUS CONTORTA	SHORE PINE	2M HT, B4B, B LIST
SHRUB				
C	22	CORNUS SERICEA	REDTWIG DOGWOOD	#2 POT, 50CM
H	1	HYDRANGEA MACROPHYLLA 'NICKO BLUE'	BIGLEAF HYDRANGEA, BRIGHT BLUE	#2 POT, 50CM
E	40	MAKONIA AQUIFOLIUM	OREGON GRAPE	#2 POT, 40CM
F	2	PIERIS JAPONICA	LILY-OF-THE-VALLEY SHRUB	#2 POT, 50CM
P	26	FRAXINUS LAURICOMMIS 'REYNOLDS'	RUSSIAN LAUREL	#3 POT, 50CM (MAINTAIN 3' HT.)
R	8	RHODODENDRON MACROPHYLLUM	PACIFIC RHODODENDRON	#3 POT, 50CM, B4B
R	50	ROSA RUBOSA	SHRUB ROSE	#2 POT, 40CM
T	11	THUJA OCCIDENTALIS 'SMARAGD'	EMERALD GREEN CEDAR	1.5M HT, B4B
V	4	VACCINIUM OVATUM	EVERGREEN HUCKLEBERRY	#2 POT, 50CM
EC				
G	75	ARCTOSTAPHYLOS UVA-URSI 'VANCOUVER JADE'	KINKINICK	#1 POT, 20CM
L	66	COTONEASTER CONGESTUS	PIRENEA COTONEASTER	#1 POT, 30CM

NOTES: * PLANT SIZES IN THIS LIST ARE SPECIFIED ACCORDING TO THE BC LANDSCAPE STANDARD, LATEST EDITION. CONTAINER SIZES SPECIFIED AS PER CANADA STANDARDS. BOTH PLANT SIZE AND CONTAINER SIZE ARE THE MINIMUM ACCEPTABLE SIZES. * REFER TO SPECIFICATIONS FOR DEFINED CONTAINER MEASUREMENTS AND OTHER PLANT MATERIAL REQUIREMENTS. * SEARCH AND REVIEW MAKE PLANT MATERIAL AVAILABLE FOR OPTIONAL REVIEW BY LANDSCAPE ARCHITECT AT SOURCE OF SUPPLY. AREA OF SEARCH TO INCLUDE LOWER MAINLAND AND FRASER VALLEY. * SUBSTITUTIONS OBTAIN WRITTEN APPROVAL FROM THE LANDSCAPE ARCHITECT PRIOR TO MAKING ANY SUBSTITUTIONS TO THE SPECIFIED MATERIAL. UNAPPROVED SUBSTITUTIONS WILL BE REJECTED. ALLOW A MINIMUM OF FIVE DAYS PRIOR TO DELIVERY FOR REQUEST TO SUBSTITUTE. SUBSTITUTIONS ARE SUBJECT TO BC LANDSCAPE STANDARD DEFINITION OF CONDITIONS OF AVAILABILITY.

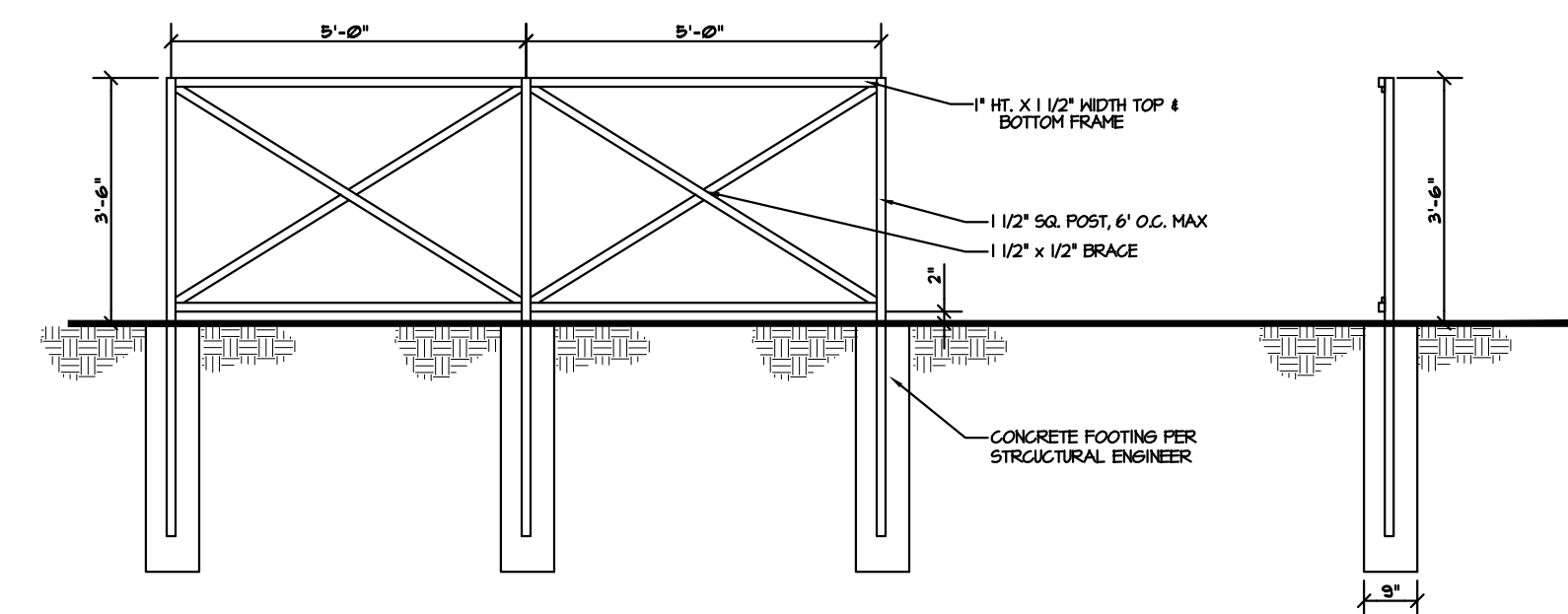
ALL PLANT MATERIAL MUST BE PROVIDED FROM CERTIFIED DISEASE FREE NURSERY. PROVIDE CERTIFICATION UPON REQUEST.



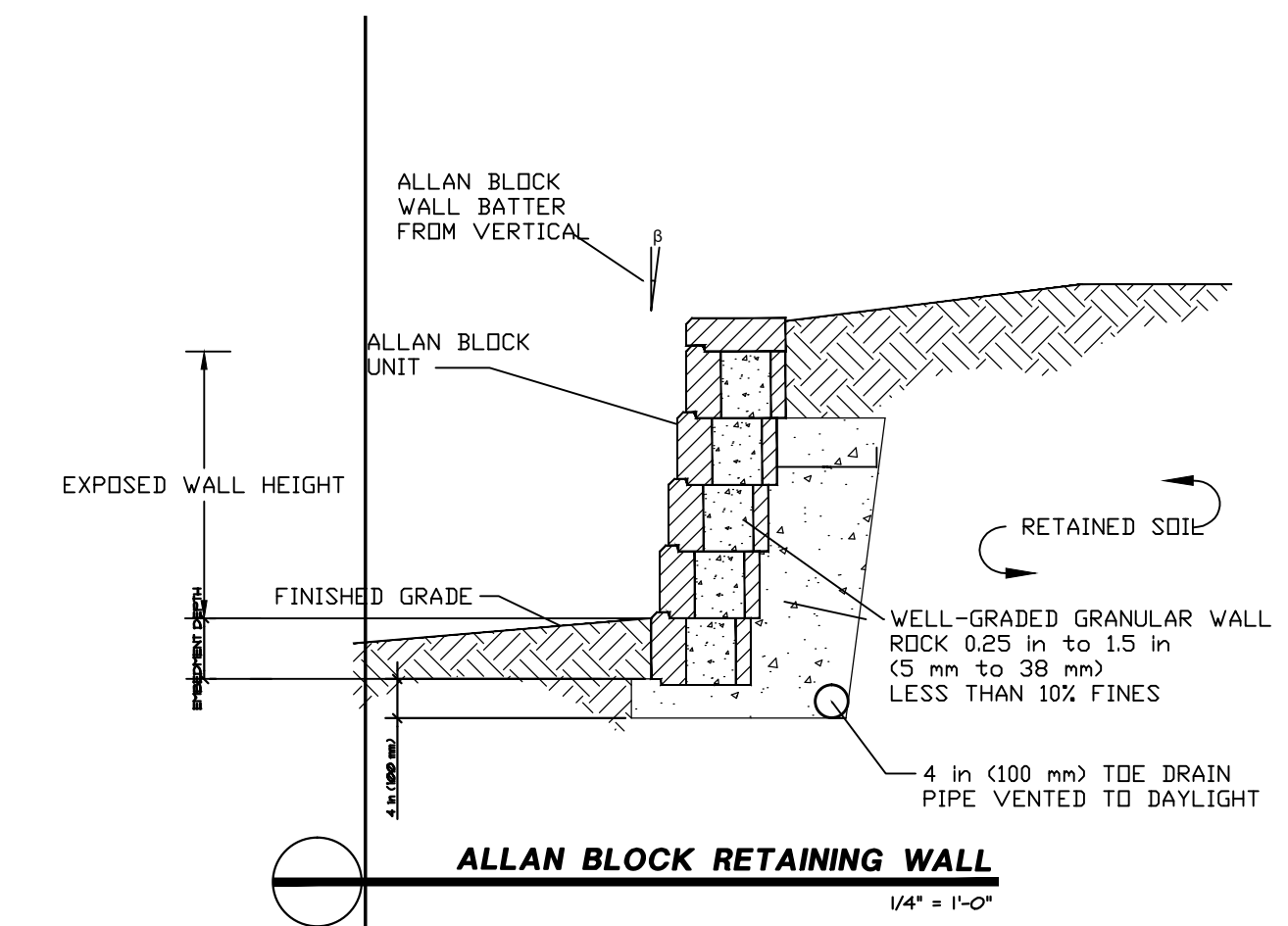
TYPICAL FENCE NOTES:
 1. ALL WOOD P.T. HEMFIR.
 2. STAIN TWO COATS EXTERIOR STAIN TO MATCH ARCHITECTURAL TRIM (COLOUR TO BE PRE-APPROVED BY OWNER)
 3. ALL HARDWARE HOT DIPPED GALVANIZED.
 4. GATE HARDWARE TO BE PRE-APPROVED BY OWNER.

6' HIGH SOLID WOOD FENCE
 1/2" = 1'-0"

NOTES:
 1. PROVIDE SHOP DRAWINGS FOR REVIEW BY LANDSCAPE ARCHITECT PRIOR TO CONSTRUCTION INSTALLATION.
 2. METAL TO BE POWDERCOAT TWO COATS, COLOUR BLACK OR OTHER TO BE PRE-APPROVED BY ARCHITECT/OWNER.
 3. ALL JOINTS WELDED.



3'6" METAL BRACE FENCE
 3/8" = 1'-0"



ALLAN BLOCK RETAINING WALL
 1/4" = 1'-0"

©Copyright reserved. This drawing and design is the property of M2 Landscape Architects and may not be reproduced or used for other projects without their permission.



LANDSCAPE ARCHITECTURE

#220 - 26 Lorne Mews
 New Westminster, British Columbia
 V3M 3L7
 Tel: 604.553.0044
 Fax: 604.553.0045
 Email: office@m2la.com

NO.	DATE	REVISION DESCRIPTION	DR.
01	10 MAR 21	REV. PER NEW S.P./P.L. REV.	MTLM
02	17 SEP 21	REV. PER NEW SITE PLAN ISSUED FOR RP	GL
03	17 MAY 22	REV. PER CITY COMMENTS	GL
04	17 MAY 22	REV. PER NEW SITE PLAN AND ADE COMMENTS	GL
05	17 APR 23	REV. PER NEW SITE PLAN	GL

SEAL:

PROJECT:
MULTI-FAMILY RESIDENTIAL
 253 VICTORIA ROAD
 NANAIMO, B.C.

DRAWING TITLE:
LANDSCAPE PLAN

DATE: 17 FEB 23	DRAWING NUMBER:
SCALE: 1/8" = 1'-0"	L1
DRAWN: GL	
DESIGN: GL	
CHK'D: MM	
M2LA PROJECT NUMBER: 13062-OTREBP-21p	OF 2